

WICKED MAKERS

CANDY SLIDE ASSEMBLY



MATERIALS

- 3" dia PVC pipe (7')
- 1" dia PVC pipe (22')
- 1" 90° elbow (8x)
- 1" tee (14x)
- 1" 3-way elbow (4x)

CUTS

3" Pipe:

A - (1x) 7' Long

G - (2x) 1" Long
*cut in half
to make 2

1" Pipe:

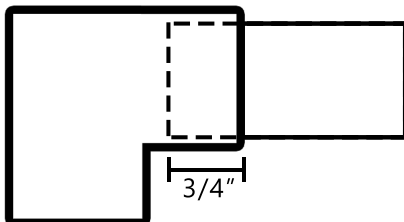
B- (12x) 4" Long

C- (8x) 4.25" Long

D- (4x) 9.125" Long

E- (6x) 20.5" Long

F- (3x) 3.5" Long



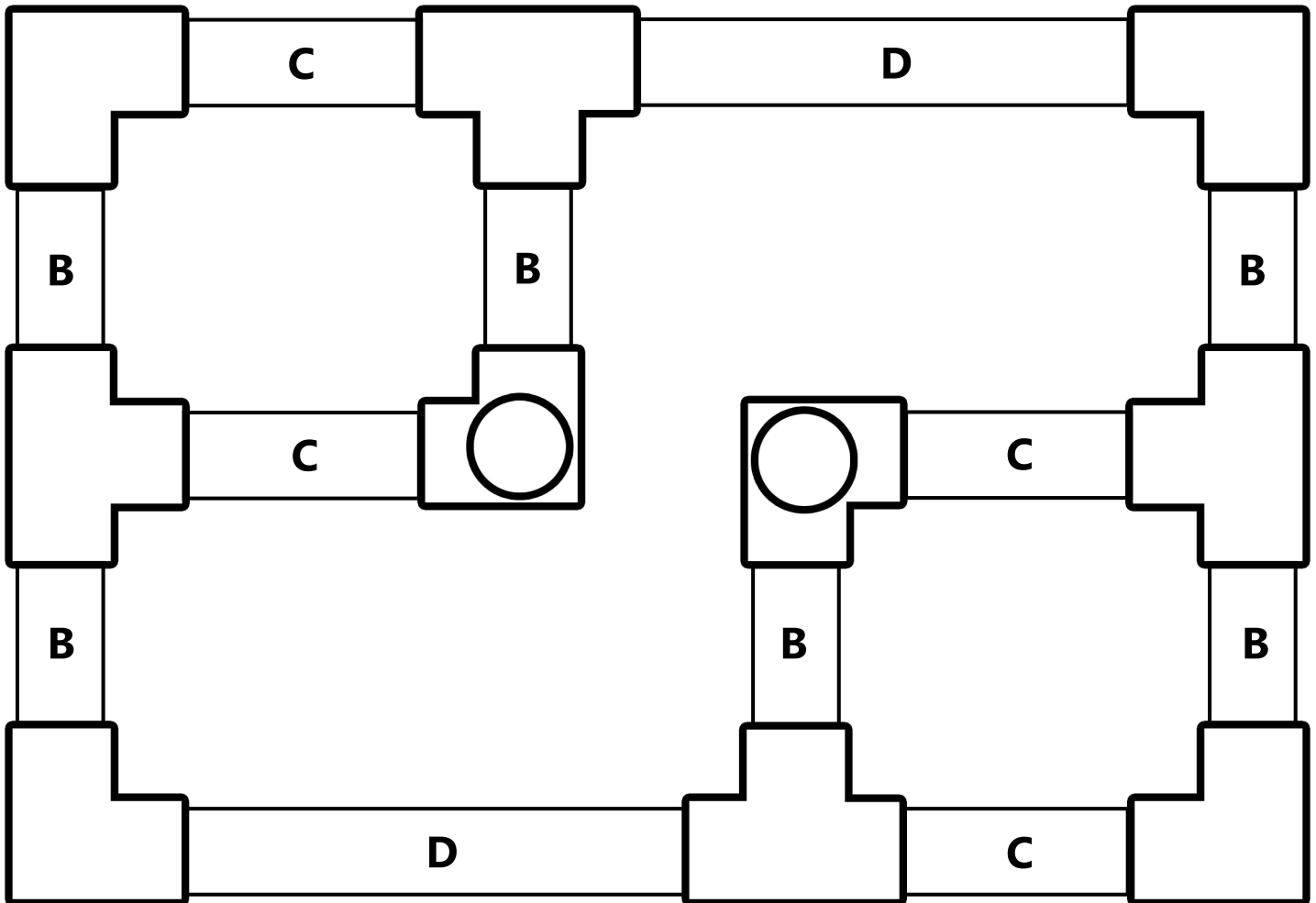
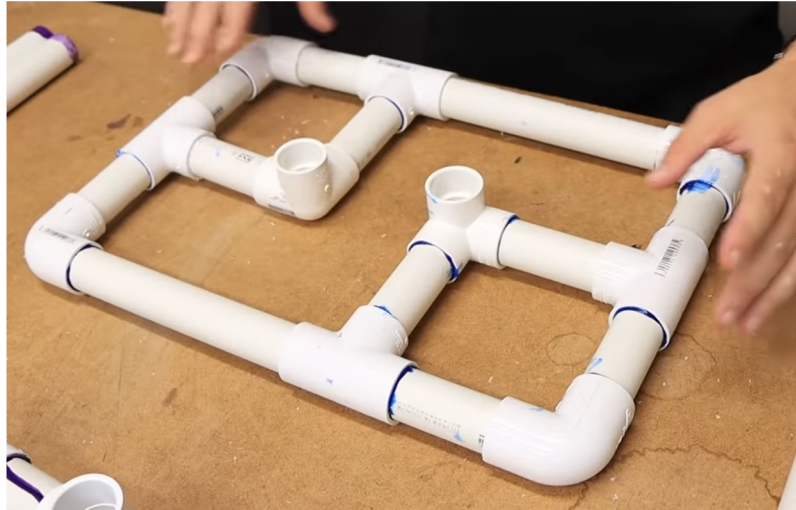
Assembly note:

All pipes go into fittings as far as they can go, which is 3/4"

THE BASE

Assemble 2 of these

WICKED MAKERS
TRICK-OR-TREAT CANDY SLIDE

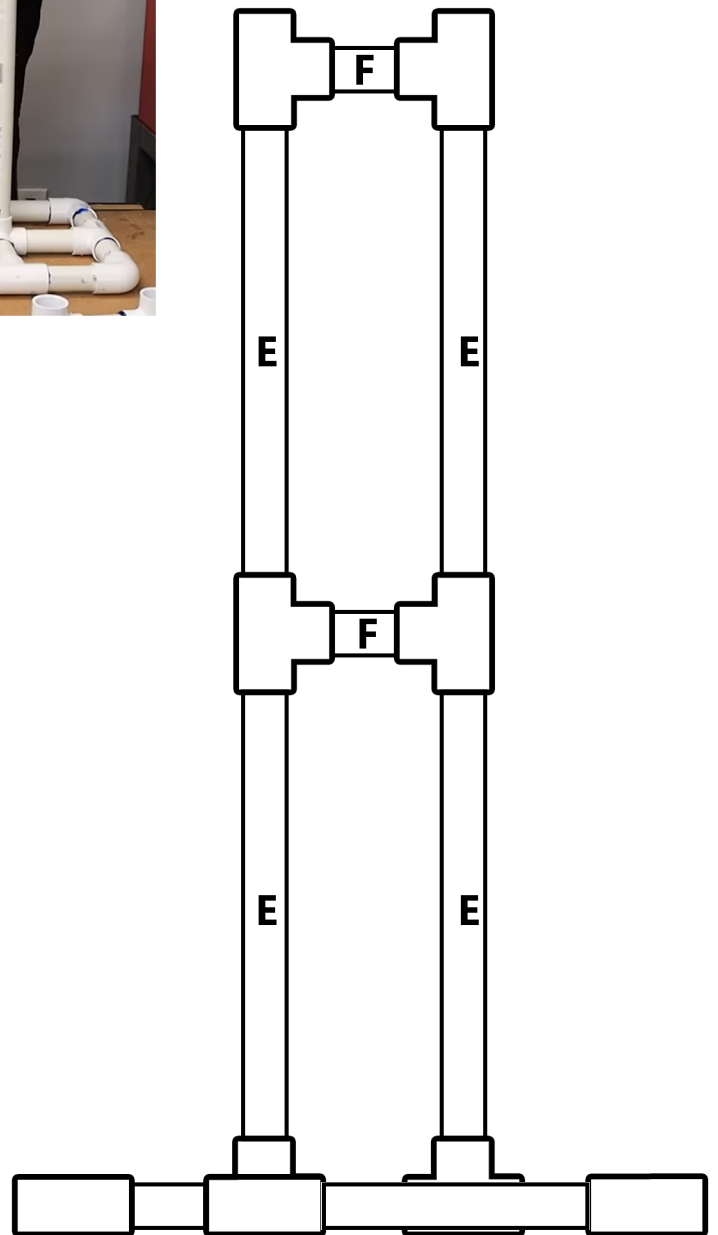
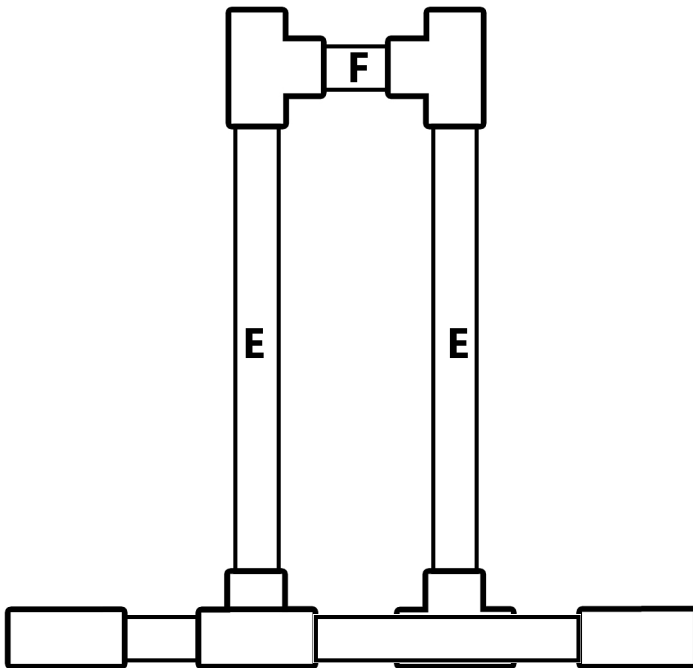


*drawing not to scale

THE STANDS

Assemble 1 of each

WICKED MAKERS
TRICK-OR-TREAT CANDY SLIDE



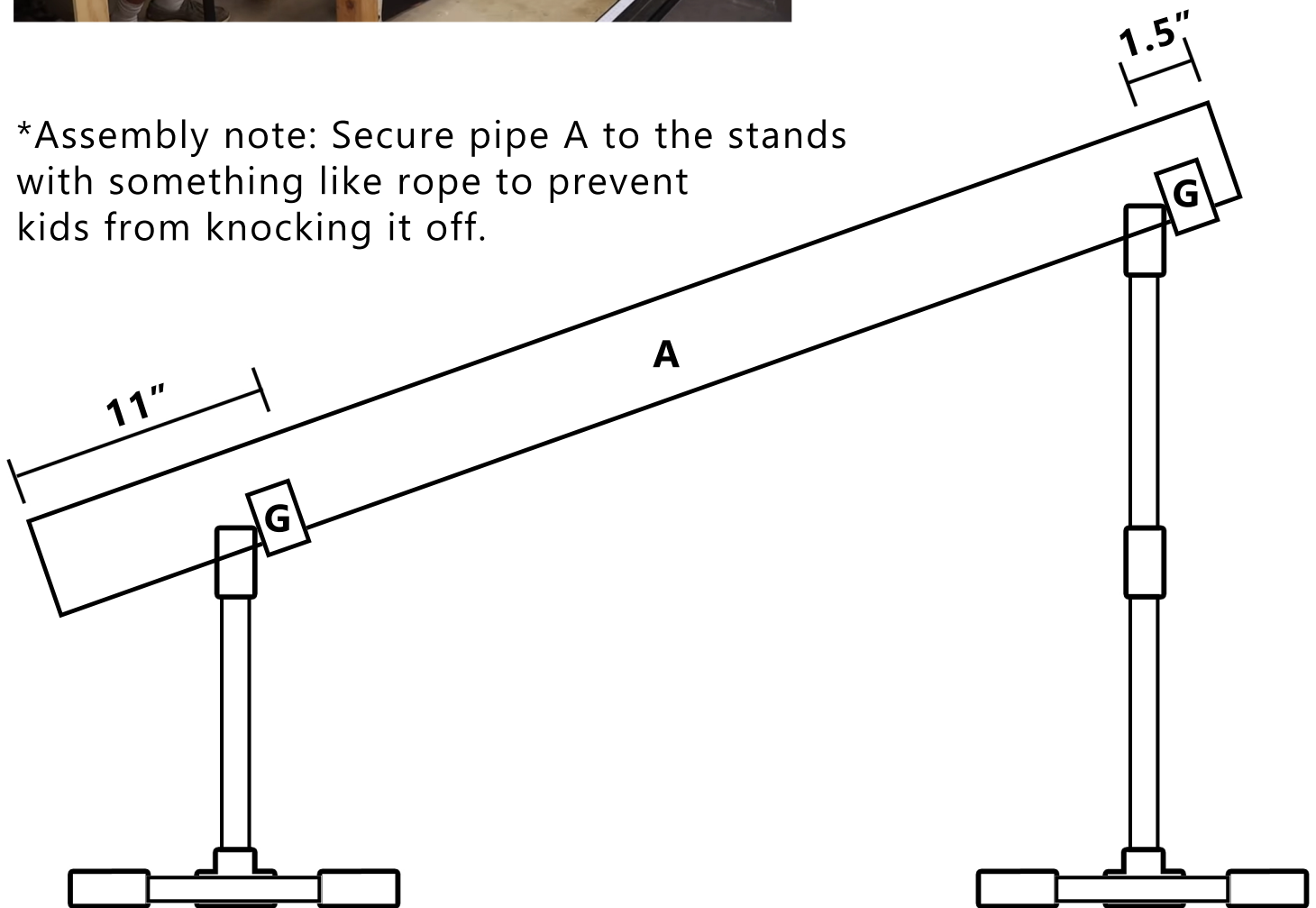
*drawing not to scale

LIPS & FINAL ASSEMBLY

WICKED MAKERS
TRICK-OR-TREAT CANDY SLIDE



*Assembly note: Secure pipe A to the stands with something like rope to prevent kids from knocking it off.



*drawing not to scale